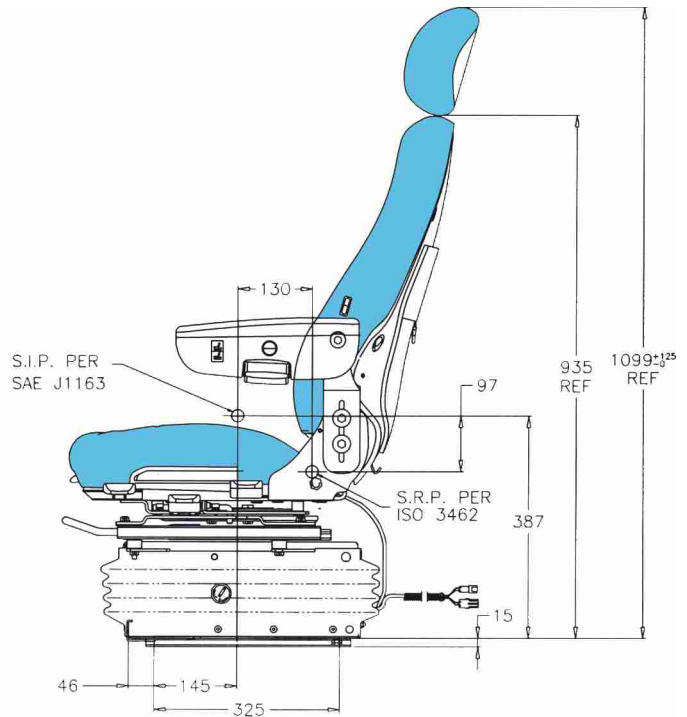
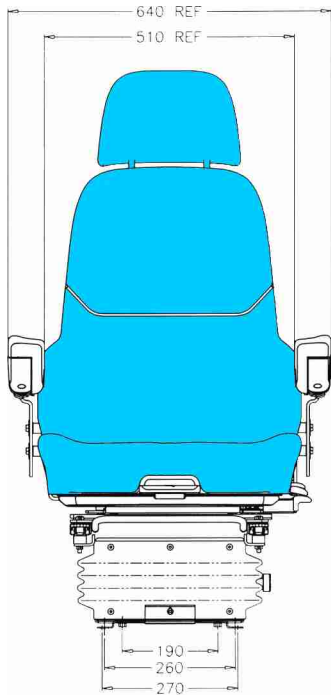


SEARS
SEATING

8020-25 Series



8020-25 Series



Medium mechanical scissor suspension with integrated height adjustment & damper

FEATURES

Replaceable double depth Fabriform® comfort cushions
 Back angle fully adjustable
 Height adjustment 76mm
 Weight adjustment 30-140kg
 Double lock slide travel 200mm
 Mechanical Lumbar
 Suspension stroke 80mm
 Moulded suspension cover
 Vibration performance to ISO 7096

OPTIONS

Horizontal isolator
 Lateral isolator
 Seat belt to ISO 6683
 Seat heaters 12, 24, 48v
 Armrests with tilt up adjustment
 Headrest with 3 position angle adjustment
 Operator presence switch
 Range of fabric, velour or PVC trim
 Tether belt version to J386 (1985 - 22Kn)

Mittlere mechanische Federung mit integrierter Höhenverstellung

EIGENSCHAFTEN

Austauschbare, extra tiefe Fabriform® Komfortkissen
 Verstellbarer Winkel der Rückenlehne 55°
 Verstellbare Sitzhöhe 76 mm
 Weight adjustment 30-140kg
 Double lock slide travel 200mm
 Lendenwirbelstütze
 Federweg 80 mm
 Faltenbalg
 Schwingungsleistung gemäß ISO 7096

EXTRAS

Horizontalfederung
 Lateralfederung
 Sitzgurt gemäß ISO 6683
 Sitzheizung 12, 24, 48v
 Armrests with tilt up adjustment
 Posture Rite™ Kopfstütze.
 Sitzkontaktschalter
 Lieferbar in einer Auswahl an hochwertigen Stoffen, Velours oder PVC
 Gurtversion gemäß J386 (1985 22Kn)

Sears Manufacturing Co.(Europe) Ltd
 Unit 33, Rassau Industrial Estate,
 Ebbw Vale, Gwent NP23 5SD.
 United Kingdom
 Tel. 0044(0) 1495 304518
 Fax. 0044(0) 1495 304452
 Email: info@searsseating.co.uk
 www.searsseating.com

