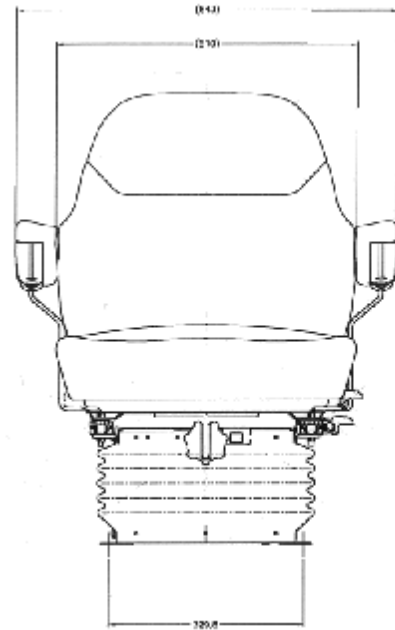
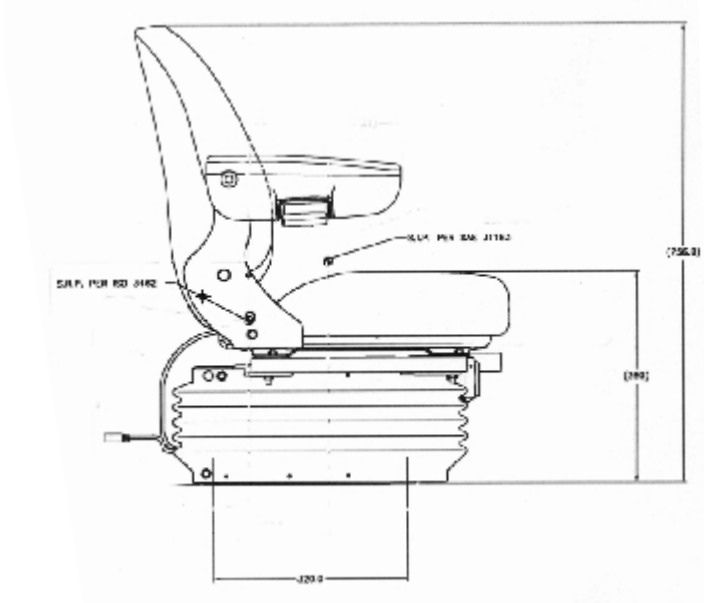


SEARS
SEATING

5010 Series



5010 Series



Large mechanical suspension with 3 position height adjustment & double acting Duo® damper

FEATURES

Replaceable double depth Fabriform® comfort cushions
Armrests with height pitch & tilt up adjustment
Back angle fully adjustable
Height adjustment 76mm
Suspension stroke 80mm
Slide travel 160mm
Mechanical Lumbar
Moulded suspension cover
Vibration performance to ISO 7096

OPTIONS

Horizontal combined isolator-slide, sprung & Damped
Suspension height limiter 40mm
Upper back rest height adjustable
Seat belt to ISO 6683
Seat heaters 12, 24, 48v
Operator presence switch
Range of fabric, velour or PVC trim

Sears Manufacturing Co.(Europe) Ltd
Unit 33, Rassau Industrial Estate,
Ebbw Vale, Gwent NP23 5SD.
United Kingdom
Tel. 0044(0) 1495 304518
Fax. 0044(0) 1495 304452
Email: info@searsseating.co.uk
www.searsseating.com

