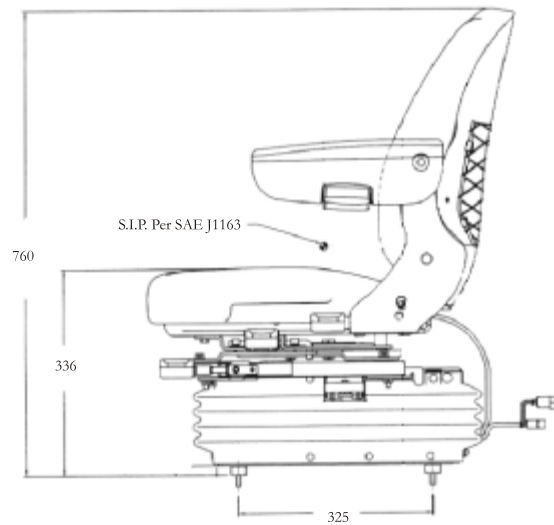
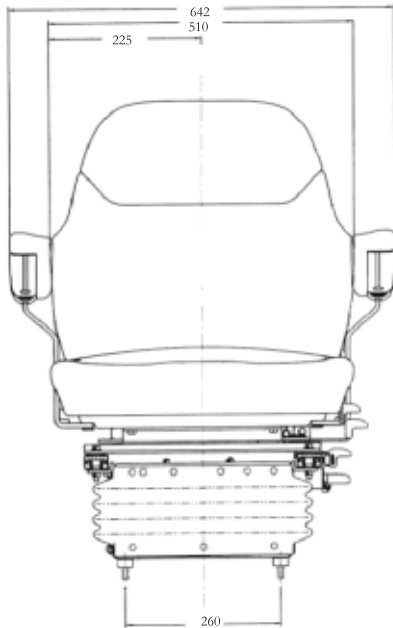


**SEARS**  
SEATING

5040 Series



## 5040 Series



Large Low frequency air suspension with Airide® high volume air spring & double acting Duo® damper

### FEATURES

- Replaceable double depth Fabriform® comfort cushions
- Height adjustment 76mm
- Back angle fully adjustable
- Automatic height & weight adjustment 50 -150kg
- Mechanical Lumbar
- Suspension stroke 80mm
- Armrests with height pitch & tilt up adjustment
- Slide travel 200mm
- Moulded suspension cover
- Vibration performance to ISO 7096

### OPTIONS

- Upper back rest height adjustable
- Suspension height limiter 40mm
- Seat belt to ISO 6683
- Operator presence switch
- Range of fabric, velour or PVC trim

Sears Manufacturing Co.(Europe) Ltd  
Unit 33, Rassau Industrial Estate,  
Ebbw Vale, Gwent NP23 5SD.  
United Kingdom  
Tel. 0044(0) 1495 304518  
Fax. 0044(0) 1495 304452  
Email: [info@searsseating.co.uk](mailto:info@searsseating.co.uk)  
[www.searsseating.com](http://www.searsseating.com)

