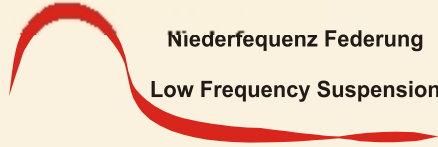


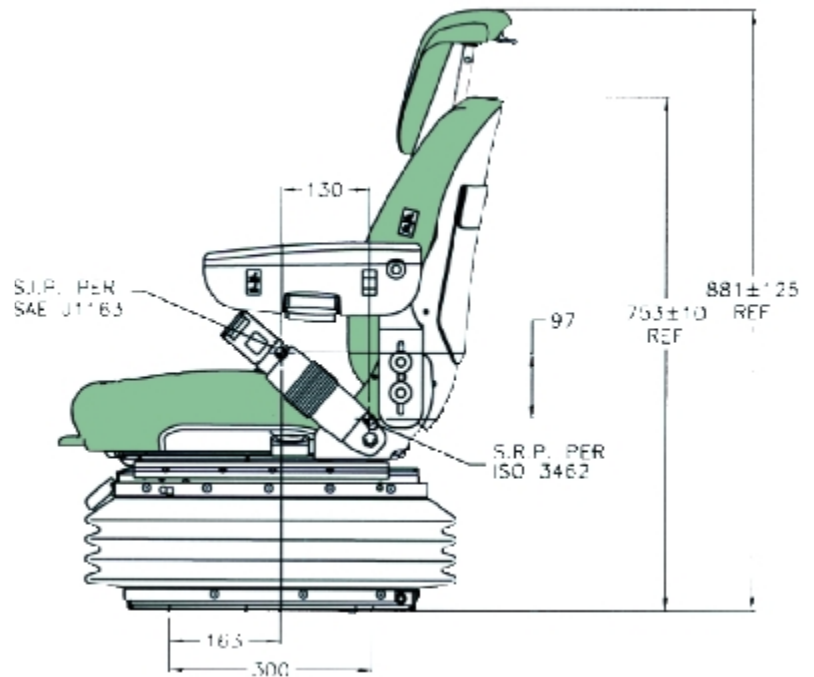
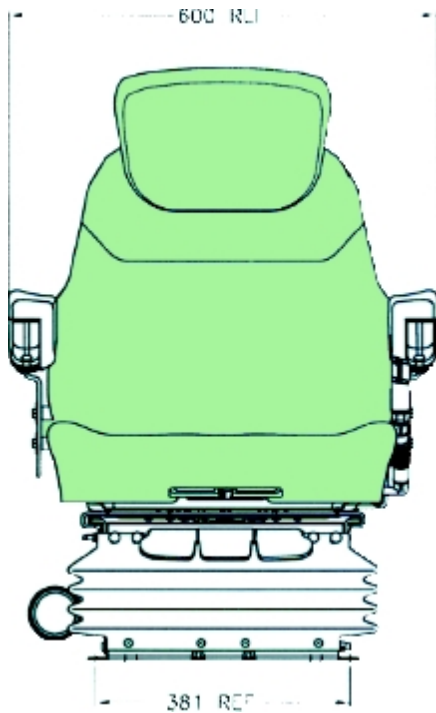
SEARS SEATING

5095 VRS



 Niederfrequenz Federung
Low Frequency Suspension
Suspension a Frequenze ultra basse

5095 VRS Series



Wide Heavy duty Low Frequency air suspension with Airide® high volume air spring & double acting, Duo® damper

FEATURES

- Deluxe cut & sew seat covers on double depth cushions
- Upper back rest height adjustable
- Back angle fully adjustable
- Up front suspension controls
- Height adjustment 76mm
- Automatic height & weight adjustment 50 -175kg
- Horizontal isolator fully integrated, sprung & Duo® Damped
- Lateral isolator fully integrated, sprung & Duo® damped
- Electro magnetic Motion Master® Damper
- Ride selector 3 three positions
- Armrests with height pitch & tilt up adjustment
- Suspension stroke 90mm
- Swivel 20°- 20°
- DuraPuck™ slide travel 180mm
- Electric air lumbar
- Operator presence switch
- Moulded suspension cover
- External air tank for optimum ride volume
- Vibration performance to ISO 7096

OPTIONS

- Seat belt to ISO 6683
- Seat heaters 12, 24, 48v
- Luxury Leather trim
- Range of fabric, velour or PVC trim

Sears Manufacturing Co.(Europe) Ltd
Unit 33, Rassau Industrial Estate,
Ebbw Vale, Gwent NP23 5SD.
United Kingdom
Tel. 0044(0) 1495 304518
Fax. 0044(0) 1495 304452
Email: info@searsseating.co.uk
www.searsseating.com

