

**SEARS**  
SEATING

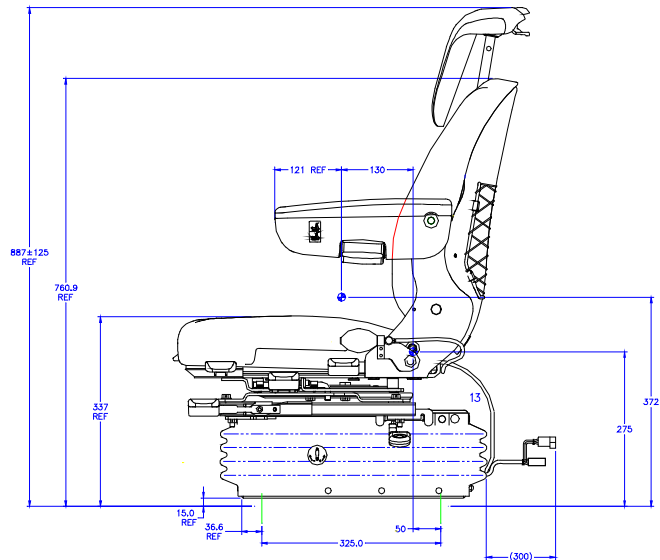
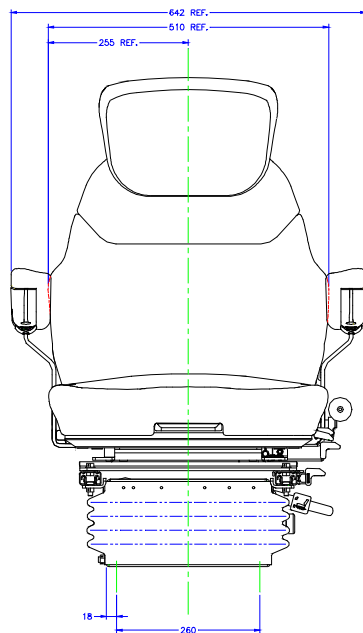
## D5075 Series



**Niederfrequenz Federung**  
**Low Frequency Suspension**

Suspension a Frequence ultra basse

## Deluxe D5075-Series



Large Low frequency air suspension with Airide® high volume air spring & double acting Duo® damper

### FEATURES

- Replaceable double depth Fabriform® comfort cushions
- Upper back rest height adjustable
- Back angle fully adjustable
- Height adjustment 76mm
- Automatic ride protection system (ARPS™)
- Automatic height & weight adjustment 50 -150kg
- Seat cushion length adjustment 60mm
- Seat cushion tilt adjustment 21°
- Adjustable Duo® damper
- Suspension stroke 80mm
- Swivel 21°- 21°
- Slide travel 200mm
- Electric air lumbar
- Operator presence switch
- Moulded suspension cover
- Vibration performance to ISO 7096

### OPTIONS

- Lateral isolator
- Seat belt to ISO 6683
- Seat heaters 12, 24, 48v
- Luxury Leather trim
- Range of fabric, velour or PVC trim

Sears Manufacturing Co.(Europe) Ltd  
 Unit 33, Rassau Industrial Estate,  
 Ebbw Vale, Gwent NP23 5SD.  
 United Kingdom  
 Tel. 0044(0) 1495 304518  
 Fax. 0044(0) 1495 304452  
 Email: info@searsseating.co.uk  
 www.searsseating.com

