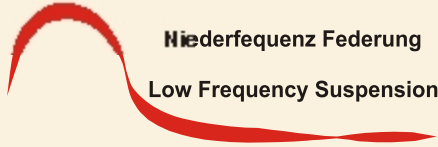


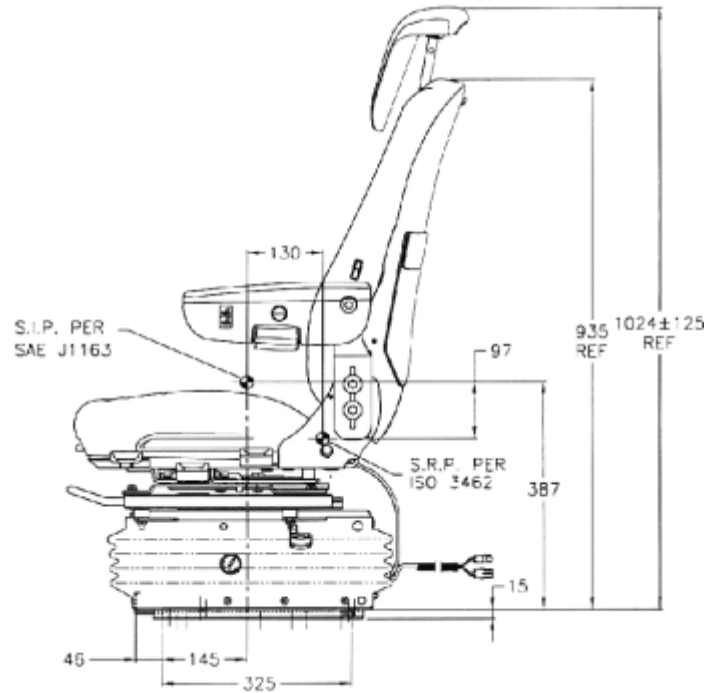
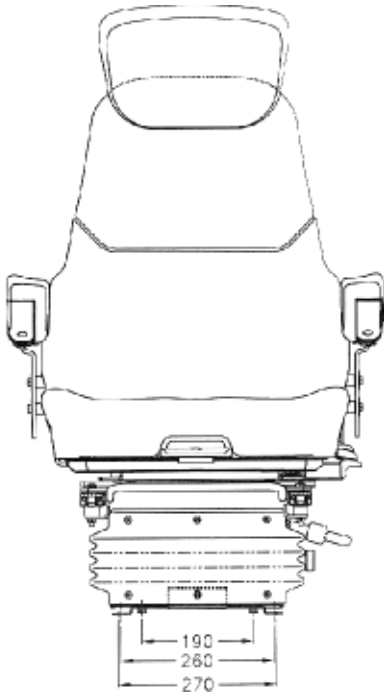
SEARS SEATING

D8075 Series



 **Niederfrequenz Federung**
Low Frequency Suspension
Suspension a Frequenze ultra basse

Deluxe D8075



Large Low frequency air suspension with Airide® high volume air spring & double acting Duo® damper

FEATURES

- Replaceable double depth Fabriform® comfort cushions
- Back angle fully adjustable
- Height adjustment 76mm
- Automatic ride protection system (ARPS™)
- Seat cushion length adjustment 60mm
- Seat cushion tilt adjustment 21°
- Horizontal isolator fully integrated, sprung & Duo® damped
- Adjustable Duo® damper
- Armrests with height, pitch & tilt up adjustment
- Suspension stroke 90mm
- Automatic height & weight adjustment 50 -150kg
- Slide Travel 200mm
- Electric air lumbar
- Operator presence switch
- Moulded suspension cover
- Vibration performance to ISO 7096

OPTIONS

- Headrest with 3 position angle adjustment
- Lateral isolator
- Swivel 21°-21°
- Seat belt to ISO 6683
- Seat heaters 12, 24, 48v
- Range of fabric, velour or PVC tri5

Sears Manufacturing Co.(Europe) Ltd
Unit 33, Rassau Industrial Estate,
Ebbw Vale, Gwent NP23 5SD.
United Kingdom
Tel. 0044(0) 1495 304518
Fax. 0044(0) 1495 304452
Email: info@searsseating.co.uk
www.searsseating.com

