

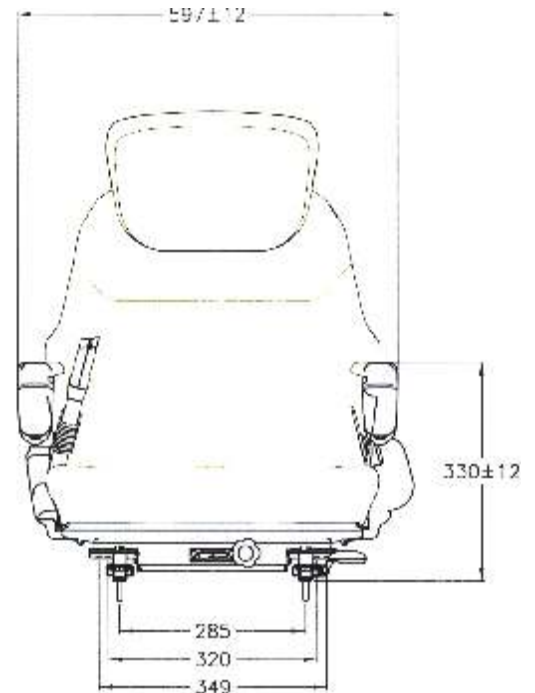
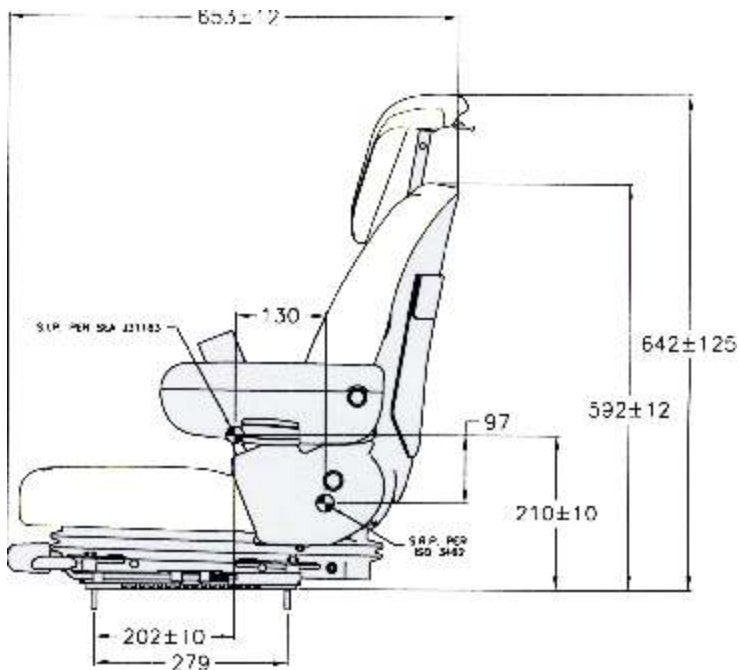
SEARS SEATING



1600 Series



1600 Series



Low profile Torsion™ spring full mechanical suspension

FEATURES

- Replaceable double depth Fabriform® comfort cushions
- Back angle fully adjustable
- Weight adjustment 30-130kg
- Suspension stroke 60mm
- Slide travel 160mm
- Moulded suspension cover
- Vibration performance to ISO 7096

OPTIONS

- Armrests angle adjustable & tilt up.
- Hip restraints
- Electric air lumbar
- Mechanical Lumbar
- Upper back rest
- Seat belt to ISO 6683
- Swivel 15°-15°
- Hydraulic Damper
- Seat heaters 12, 24, 48v
- Operator presence switch
- Range of fabric, velour or PVC trim

Sears Manufacturing Co.(Europe) Ltd
Unit 33, Rassau Industrial Estate,
Ebbw Vale, Gwent NP23 5SD.
United Kingdom
Tel. 0044(0) 1495 304518
Fax. 0044(0) 1495 304452
Email: info@searsseating.co.uk
www.searsseating.com

