

SEARS SEATING



900 SERIES



500 SERIES



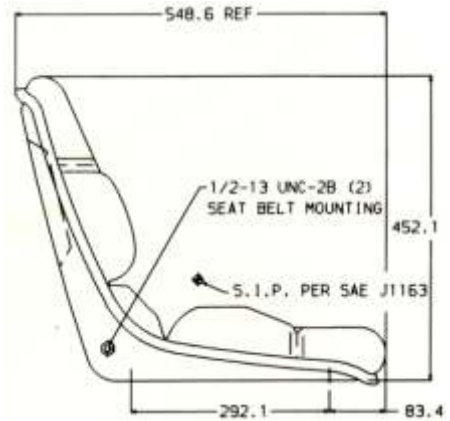
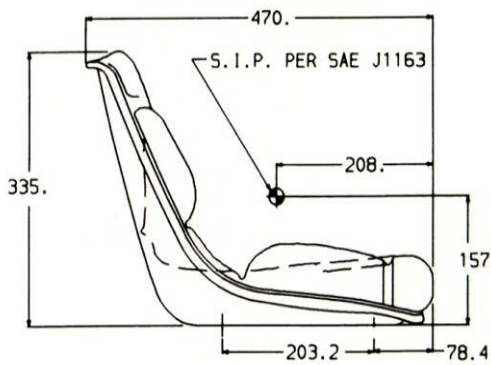
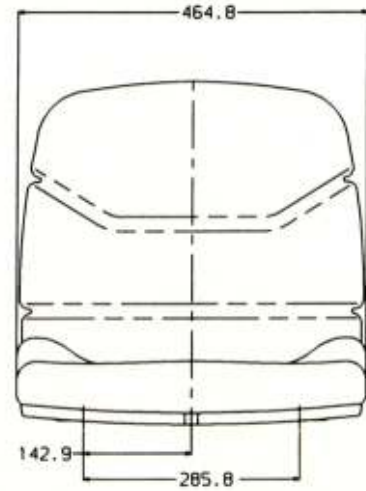
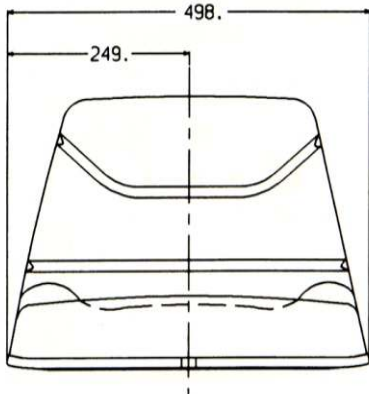
1000 SERIES



800 SERIES



500 Series 800-900-1000



FEATURES

- Ergonomically contoured pan seat
- Double depth comfort cushions
- Self Draining cushions with cross ventilation
- Multiple seat fixing points
- Vibration performance to ISO 7096

OPTIONS

- Slide travel 150-200mm
- Armrests tilt up or adjustable & tilt up
- Seat belt to ISO 6683
- Operator presence switch
- Range of fabric, velour or PVC trim

Sears Manufacturing Co.(Europe) Ltd
 Unit 33, Rassau Industrial Estate,
 Ebbw Vale, Gwent NP23 5SD.
 United Kingdom
 Tel. 0044(0) 1495 304518
 Fax. 0044(0) 1495 304452
 Email: info@searsseating.co.uk
 www.searsseating.com

