



Sears - Sears who? A History

Founded in 1855 the Sears Manufacturing Company pioneered the development of specialist seats for the agricultural, construction and industrial vehicle industries. Upon entering the market Sears immediately established a reputation for supplying technologically advanced products that offered unparalleled comfort and durability. These qualities became the hallmark of a Sears seat making Sears number one in the off road seating industry, a position which, through progressive innovation, we still proudly hold today.

It was specially designed to absorb the vibrations typical of large tractors and tractors with axle and now cabin suspension. The seat's low natural frequencies substantially reduce the vibration and jolts experienced by operators. This not only makes for outstanding comfort, but also lets you stay relaxed and alert while working. This was a development our competitors have only recently begun to match.

Seat function and controls are specified for ease of use in any number of conditions. These specifications are then field tested in the most arduous conditions found in the North American prairies e.g. in the granite quarrying and logging industries. The operators of these machines often spend in excess of 16 hours in the seat. These are the proving grounds of the Sears seat. All our models offer unrivaled comfort. The ergonomically designed, tapered back rest lets you move freely in all working situations, while the wide double depth seat cushions and arm rests optimally support you without restricting your movement. Sears seats can be customized for the ultimate in personal comfort, thanks to the many features for adjusting armrest height, seat angle, seat height and lumbar support.



Innovation in seat ride

Our desire to maintain our technological lead in the off road seating industry has meant that Sears have now introduced an innovative and advanced all new suspension range including Advanced Passive (APS) and Semi-Active and Active versions, which can reduce the frequency rating of our suspensions to less than 0.5Hz. For the operator, this means improved comfort, improved ride performance and even greater reductions of vibration.



Durability

Sears reputation for durability is well founded as being the only off road seat manufacturer who has for 10 years designed and produced seats, slides and suspensions rated at 5,000 hours for the most demanding of mining conditions.

Not satisfied with this, Sears have spent 5 years developing an award winning new seat, for use in the construction industry, rated at 10,000 hours, using materials and processes that are completely new to the off road seating industry - another first for Sears. This experience and know how are built into every Sears seat providing security and peace of mind.

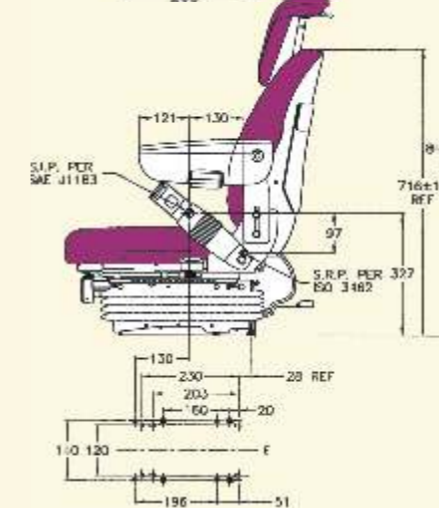
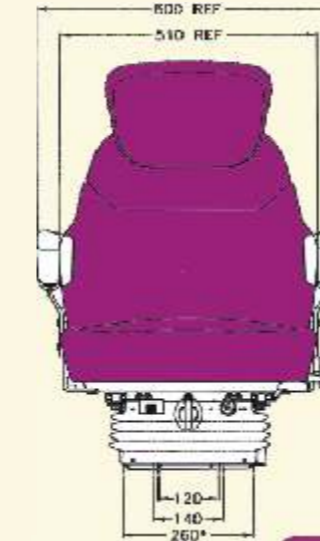
Comfort

Sears seats were the first in the off road industry to undergo extensive ergonomic analysis. Cushion design is assisted by pressure mapping techniques whilst suspension settings are optimised using the six degree axis ride simulator (pictured left) for maximum operator comfort.

- 1 Adjustable back rest height (option)
- 2 Ergonomically sculptured back rest for ease of movement
- 3 Finger tip adjustable, fold up arm rests with foam on the inner surface for extra comfort
- 4 Double depth comfort cushions for that legendary Sears comfort
- 5 Compact air suspension with 80mm (3") of height adjustment
- 6 Weight adjustment 30-130kg
- 7 160mm (6") of slide travel
- 8 Horizontal isolator for reduction in vibration created when traveling at speed or when towing implements (option)
- 9 Seat back recline
- 10 Lumbar support
- 11 Easily replaceable seat and backrest cushions

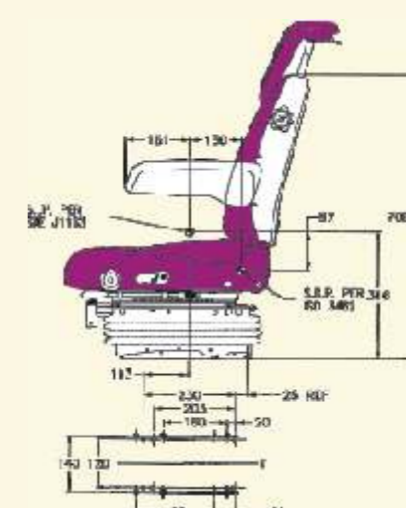
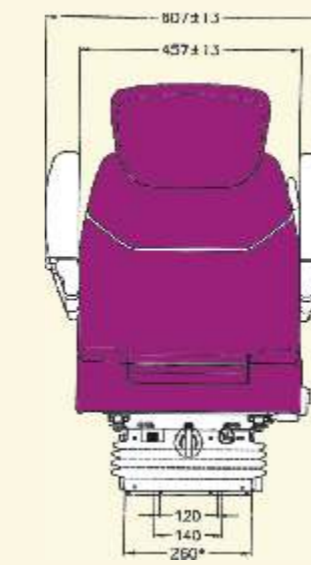


5030



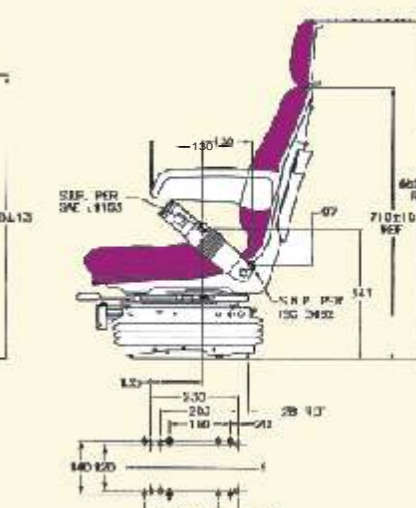
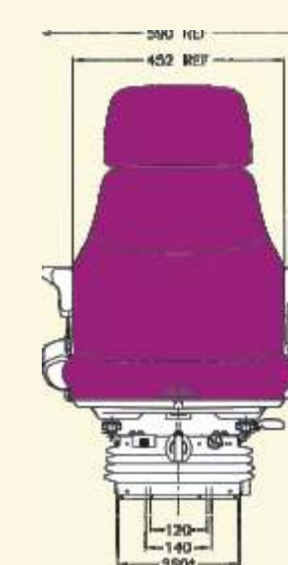
5030-5007 series

2030



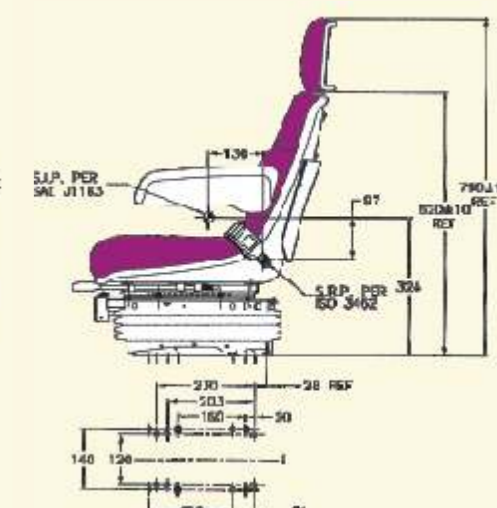
2030-2007 series

1430



1430-1407 series

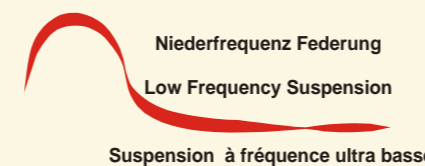
930



930-907 series

	5030	2030	1430	930
Armrests				
Height adjusting, fold up 70mm x 320mm (2 3/4" x 12 3/8")	●	●	●	●
Fold up 75mm x 330mm (3" x 13")	●	●	●	●
Velour cover fabric	●	●	●	●
Black cover fabric	●	●	●	●
Suspension				
Compact air suspension with 12v compressor	●	●	●	●
Weight adjustment 30-130kg	●	●	●	●
80mm (3") suspension travel	●	●	●	●
Height adjustment 80mm (3")	●	●	●	●
Fore/aft adjustment over 160mm (6") range	●	●	●	●
Lumbar support				
Manual air	●	●	●	●
Mechanical	●	●	●	●
Cushions				
Double depth	●	●	●	●
Wide 500mm (19")	●	●	●	●
Standard 455mm (18")	●	●	●	●
Adjustable backrest angle	●	●	●	●
Document holder	●	●	●	●
OPTIONAL FEATURES				
Black cover vinyl	●	●	●	●
Seat belt	●	●	●	●
Horizontal isolator	●	●	●	●
Seat back extension	●	●	●	●
Lateral isolator	●	●	●	●
Seat switch	●	●	●	●

● Standard ● Optional



COMPACT MECHANICAL RANGE

- 1 Adjustable back rest height (option)
- 2 Ergonomically sculptured back rest for ease of movement
- 3 Finger tip adjustable, fold up arm rests with foam on the inner surface for extra comfort
- 4 Double depth comfort cushions for that legendary Sears comfort
- 5 Compact mechanical suspension with 80mm (3") of height adjustment
- 6 Weight adjustment 30-130kg
- 7 Variable height limiter 60mm (2 1/4") adjustment
- 8 160mm (6") of slide travel
- 9 Horizontal isolator for reduction in vibration created when traveling at speed or when towing implements (option)
- 10 Seat back recline
- 11 Lumbar support
- 12 Easily replaceable seat and backrest cushions



	5007	2007	1407	907
Armrests				
Height adjusting, fold up 70mm x 320mm (2 3/4" x 12 3/8")	●	●	●	●
Fold up 75mm x 330mm (3" x 13")	●	●	●	●
Velour cover fabric	●	●	●	●
Black cover fabric	●	●	●	●
Suspension				
Compact mechanical suspension	●	●	●	●
Weight adjustment 30-130kg	●	●	●	●
80mm (3") suspension travel	●	●	●	●
Height adjustment 80mm (3")	●	●	●	●
Variable height limiter	●	●	●	●
Fore/aft adjustment over 160mm (4 3/4") range	●	●	●	●
Lumbar support	●	●	●	●
Manual air	●	●	●	●
Mechanical				
Cushions				
Double depth	●	●	●	●
Wide 500mm (19")	●	●	●	●
Standard 455mm (18")	●	●	●	●
Adjustable backrest angle	●	●	●	●
Document holder	●	●	●	●
OPTIONAL FEATURES				
Black cover vinyl	●	●	●	●
Seat belt	●	●	●	●
Seatback extension	●	●	●	●
Horizontal isolator	●	●	●	●
Seat switch	●	●	●	●

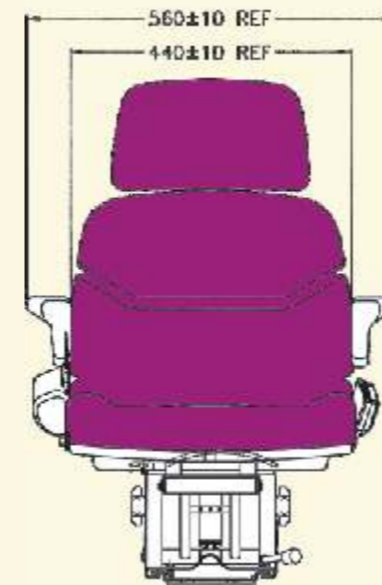
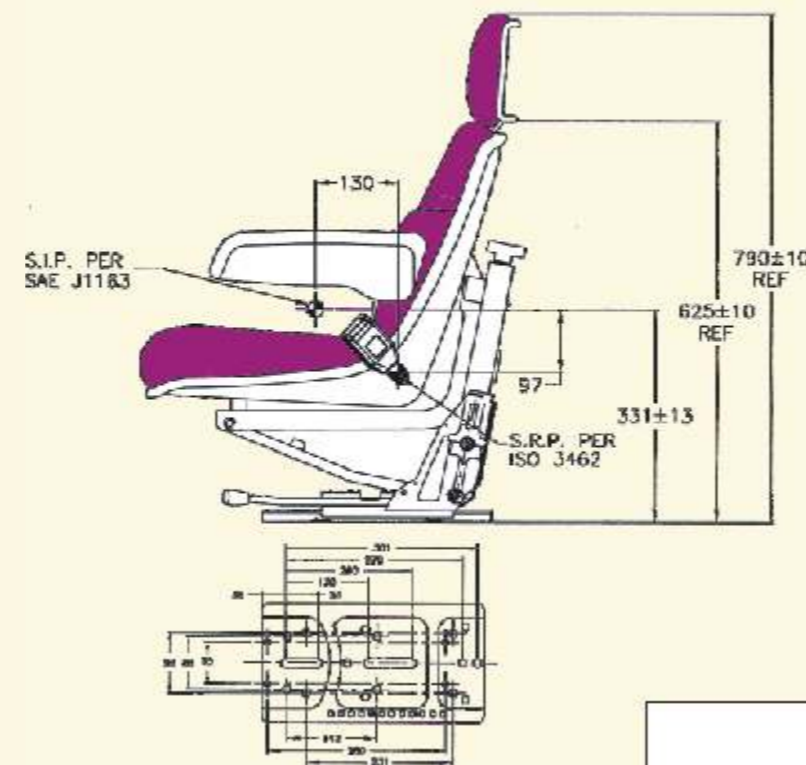
● Standard ● Optional

MECHANICAL RANGE FOR SMALL MACHINES

	906D	906S	906E
Cushions double depth	●	●	●
Armrests Fold up 75mm x 330mm (3" x 13")	●	●	●
Velour cover fabric	●	●	●
Black cover fabric	●	●	●
Black cover vinyl	●	●	●
Mechanical suspension	●	●	●
80mm (3") suspension travel	●	●	●
Weight adjustment 50-120kg	●	●	●
Height adjustment 60mm (2 1/4")	●	●	●
Fore/aft adjustment over 140mm (5") range	●	●	●
OPTIONAL FEATURES			
Seat belt	●	●	●
Adjustable arms	●	●	●
Seat switch	●	●	●
Seatback extension	●	●	●
Horizontal isolator	●	●	●
Document holder	●	●	●

● Standard ● Optional

900 series



Sears Manufacturing Co. (Europe) Ltd.
 Unit 33, Rassau Industrial Estate,
 Ebbw Vale, Gwent NP23 5SD,
 United Kingdom
 Tel. 0044(0) 1495304518
 Fax. 0044(0) 1495304452
 Email: info@searsseating.co.uk
 www.searsseating.com
 S18863. Eng



SEATS
 FOR VINYARD, COMPACT,
 SMALL & MEDIUM
 AGRICULTURAL
 MACHINES

TOTAL COMFORT

Innovation
 Durability
 Comfort

