



Sears - Sears who? A History

Founded in 1855 the Sears Manufacturing Company pioneered the development of specialist seats for the agricultural, construction and industrial vehicle industries. Upon entering the market Sears immediately established a reputation for supplying technologically advanced products that offered unparalleled comfort and durability. These qualities became the hallmark of a Sears seat making Sears number one in the off road seating industry, a position which, through progressive innovation, we still proudly hold today.

It was specially designed to absorb the vibrations typical of large tractors and tractors with axle and now cabin suspension. The seat's low natural frequencies substantially reduce the vibration and jolts experienced by operators. This not only makes for outstanding comfort, but also lets you stay relaxed and alert while working. This was a development our competitors have only recently begun to match.

Seat function and controls are specified for ease of use in any number of conditions. These specifications are then field tested in the most arduous conditions found in the North American prairies e.g. in the granite quarrying and logging industries. The operators of these machines often spend in excess of 16 hours in the seat. These are the proving grounds of the Sears seat. All our models offer unrivaled comfort. The ergonomically designed, tapered back rest lets you move freely in all working situations, while the wide double depth seat cushions and arm rests optimally support you without restricting your movement. Sears seats can be customize for the ultimate in personal comfort, thanks to the many features for adjusting armrest height, seat angle, seat height and lumbar support.



Innovation in seat ride

Our desire to maintain our technological lead in the off road seating industry has meant that Sears have now introduced an innovative and advanced all new suspension range including Advanced Passive (APS) and Semi-Active and Active versions, which can reduce the frequency rating of our suspensions to less than 0.5Hz. For the operator, this means improved comfort, improved ride performance and even greater reductions of vibration.



Durability

Sears reputation for durability is well founded as being the only off road seat manufacturer who has for 10 years designed and produced seats, slides and suspensions rated at 5,000 hours for the most demanding of mining conditions.

Not satisfied with this, Sears have spent 5 years developing an award winning new seat, for use in the construction industry, rated at 10,000 hours, using materials and processes that are completely new to the off road seating industry - another first for Sears. This experience and know how are built into every Sears seat providing security and peace of mind.



Comfort

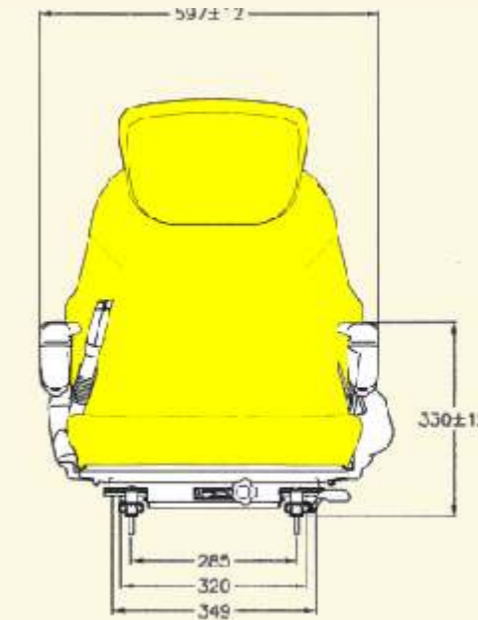
Sears seats were the first in the off road industry to undergo extensive ergonomic analysis. Cushion design is assisted by pressure mapping techniques whilst suspension settings are optimised using the six degree axis ride simulator (pictured left) for maximum operator comfort.

1600 series

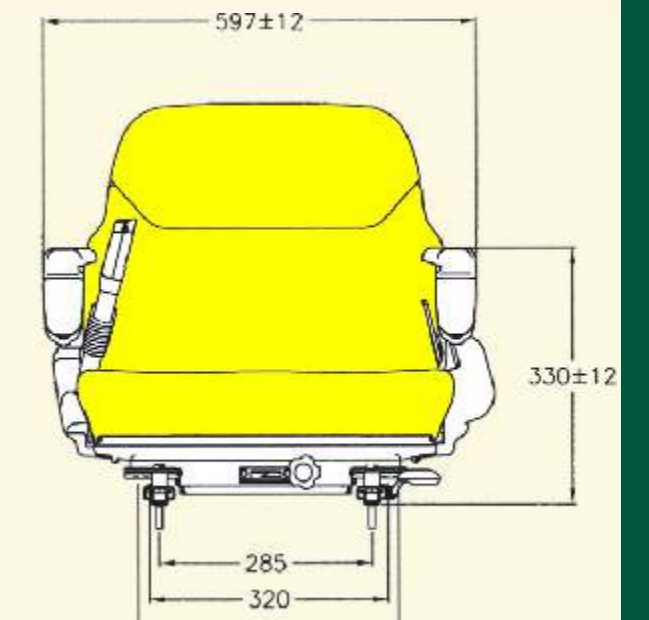
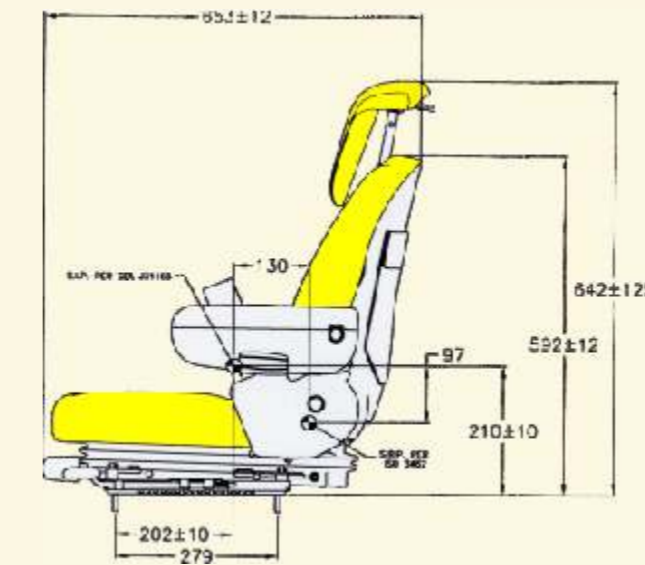
- 1 Adjustable back rest height (option)
- 2 Ergonomically sculptured back rest for ease of movement
- 3 Finger tip adjustable, fold up arm rests.
- 4 Double depth comfort cushions for that legendary Sears comfort
- 5 Low profile torsion spring suspension
- 6 Weight adjustment 30-130kg
- 7 160mm (6") of slide travel
- 8 Seat Heating (Option)
- 9 Seat back recline
- 10 Electric lumbar (Option)
- 11 Easily replaceable seat and backrest cushions



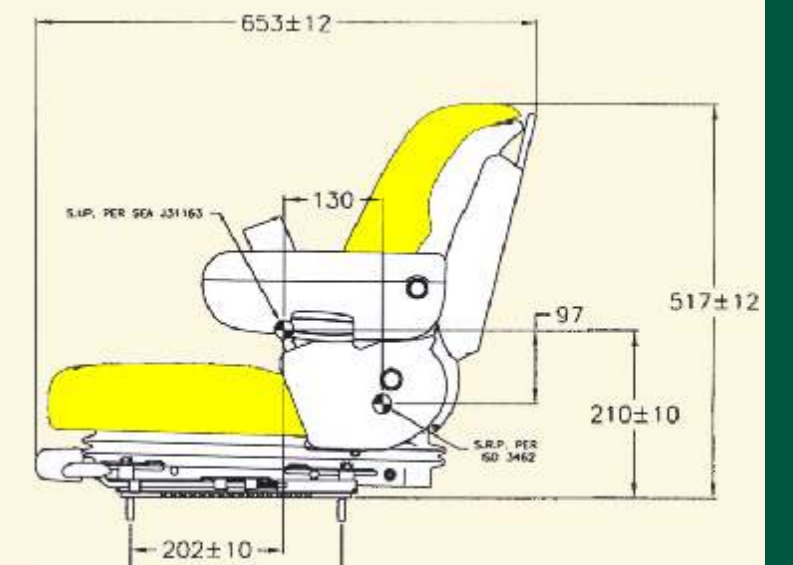
1500 SERIES



1600 series



1500 series

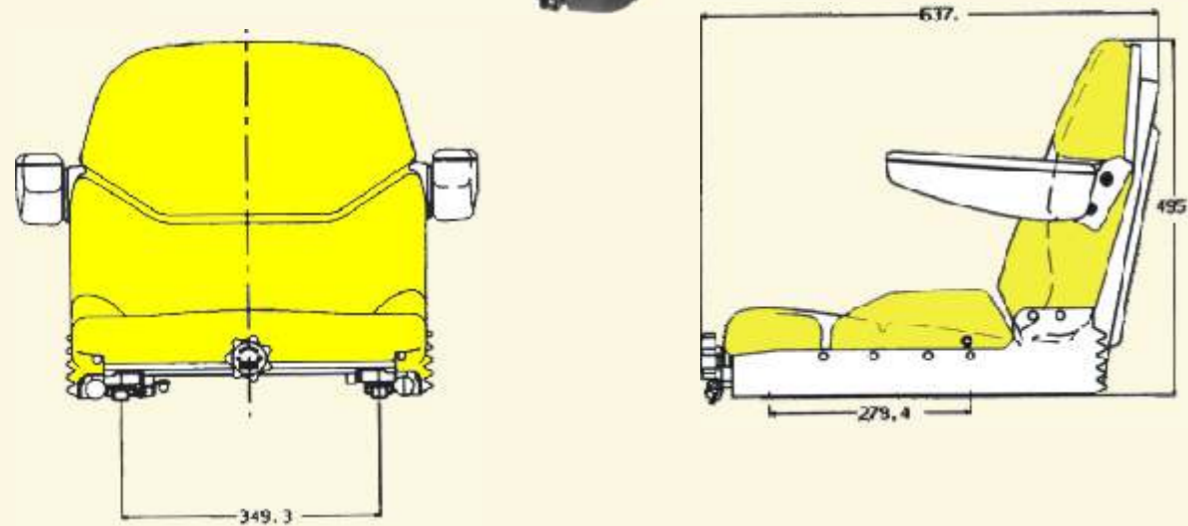


	1600	1500
Armrests		
Height adjusting, fold up 70mm x 320mm (2 3/4" x 12 3/8")	●	●
Hip restraints	●	●
Velour cover fabric	●	●
Black cover fabric	●	●
Black PVC	●	●
Weight adjustment 30-130kg	●	●
60mm suspension travel	●	●
80mm suspension travel	●	●
Fore/aft adjustment over 160mm	●	●
Lumbar support		
Manual air		●
Electric air	●	
Cushions		
Double depth	●	●
Adjustable backrest angle	●	●
Document holder	●	●
OPTIONAL FEATURES		
Seat belt	●	●
Seatback extension	●	●
Seat switch	●	●

● Standard

● Optional

1200 series semi suspension



	1200
Armrests	●
Height adjusting, fold up 70mm x 320mm (2 3/4" x 12 3/8")	●
Fold up 75mm x 330mm (3" x 13")	●
Velour cover fabric	●
Black cover fabric	●
Black cover vinyl	●
Weight adjustment 30-130kg	●
Hip Restraints	●
Fore/aft adjustment over 160mm (4 3/4") range	●
Double depth comfort cushions	●
Adjustable backrest angle	●
Document holder	●
OPTIONAL FEATURES	
Seat belt	●
Seatback extension	●
Seat switch	●

● Standard ● Optional

STATIC SEATS

500 series



900 series



1000 series



	1000	900	500
Cushions double depth	●	●	●
Armrests Fold up 75mm x 330mm (3" x 13")	●	●	●
Velour cover fabric	●	●	●
Black cover fabric	●	●	●
Black cover vinyl	●	●	●
Slide 180mm	●	●	●
OPTIONAL FEATURES			
Seat belt	●	●	●
Adjustable arms	●	●	●
Seat switch	●	●	●
Seatback extension	●	●	●
Document holder	●	●	●

● Standard ● Optional

Sears Manufacturing Co. (Europe) Ltd.
Unit 33, Rassau Industrial Estate,
Ebbw Vale, Gwent NP23 5SD,
United Kingdom
Tel. 0044(0) 1495304518
Fax. 0044(0) 1495304452
Email: info@searsseating.co.uk
www.searsseating.com

S1866. Eng

SEATS

FOR LIFT TRUCKS
HANDLERS / SIDE LOADERS
AND COMPACT
CONSTRUCTION EQUIPMENT



TOTAL COMFORT

Innovation

Durability

Comfort

